



Helping hands for your Forklift truck

## Fork Positioners

T160 · T466



APPLICATION RECOMMENDATION - MEDIUM DUTY

Along with Sideshifters, Fork Positioners are amongst the most commonly used attachments on forklift trucks. Fork Positioners are a valuable work aid wherever loads of varying widths need to be handled, requiring the fork spacing to be adjusted accordingly. Use of KAUP high-visibility Fork Positioners enables the truck operator to control fork spacing conveniently from the driver seat. This increases the operating efficiency of the forklift and greatly reduces accidents.

- Enlarging the supporting width improves the stability of wide loads while diminishing the risk of the load slipping off the forks.
- Adjusting the supporting width to the width of the load prevents over loading any part of the mast.
- The high-visibility design ensures the driver exact and precise working with the Fork Positioner which guarantees high job performance with a low risk of accidents.

## Application recommendation for KAUP Fork Positioners

**T156 / T163SN\***

Light duty



Fork carriage guided fork adjustment for pick-up of pallets with different widths · Principally level working conditions · Ideal for working in production halls i.e. relatively clean environment · Opening range restricted to the width of the attachment

**T160(Z) / T466(Z)**

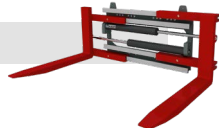
Medium duty



Frequent fork adjustment · Operating with long forks · Different kinds of goods and ways of handling (e.g. forwarders) · Outdoor operation · Opening range can be slightly larger than the width of the attachment

**T411Z\***

Heavy duty

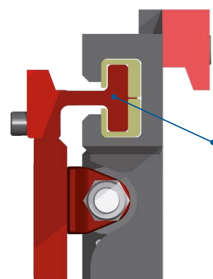


Heavy duty version · Load picked up between the forks · Use of long forks and load pick up at fork tips · Frequent load pick up with max. opening range and pick up to top limit of capacity · Uneven floors · Quick working cycles · Opening range much larger than the width of the attachment

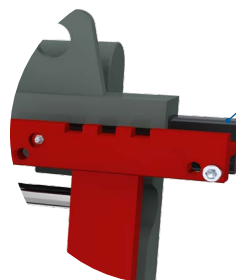
*\* further information can be found in the brochures showing the range T156 / T163SN and/or T411Z*

## KAUP Fork Positioners range T160 and T466

Fork Positioners of the T160 and T466 range ensure that the forklift truck driver has an unobstructed view of the fork tips and load. Using state-of-the-art 3D technology the T160 and T466 components are specifically matched to the requirements specified. As a result the units feature high stability along with optimised tare weight, low lost load center and thus a very good residual capacity, excellent view because the design was optimised with regard to visibility, minimised wear, a service-optimised design and thus low maintenance and operating costs.



ISO profiles and guide profiles are manufactured from one piece which gives the attachment a high degree of rigidity and solidity. Therefore cracks caused by tension or fatigue, which occur on a welded design, can not develop.

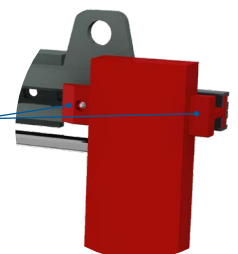


**Optimised service:** The highly wear-resistant sliding profiles can, when necessary, be replaced quickly and simply on site without the use of special tools.

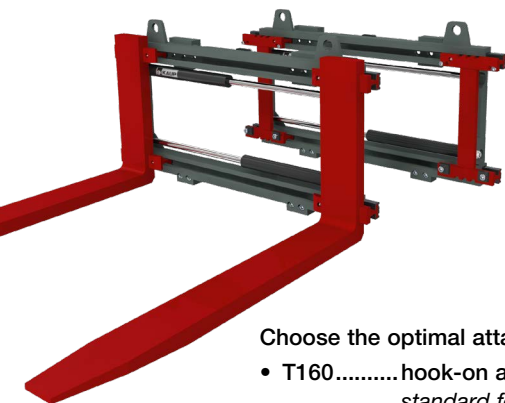


**Load Backrest T479:** The fork positioner can be fitted on site with a load backrest type T479.

**Z-Version:** the guide profiles are wider than the fork shanks. This increases stability and reduces wear and tear.



## KAUP Fork Positioners – range T160



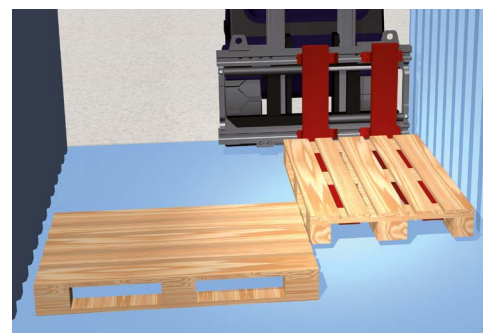
The range T160 with optimised visibility and residual capacity is fitted with valve block side-shift as standard. As valve block sideshift uses the rest stroke of the cylinder for the sideshift function the lateral shift is dependent on the fork position. Depending on the construction width of the attachment a lateral shift of up to  $\pm 300$  mm can be achieved. The possibility of the load being picked up off centre must be taken into account when calculating the residual capacity.

Fork Positioners in the range T160 are alternatively available without a sideshift function.

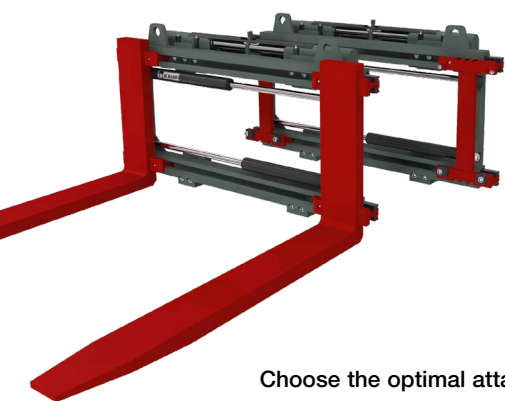
Choose the optimal attachment for your type of operation from the four variations of T160 available:

- T160.....hook-on attachment with fork carriage bars for attaching the original forks in accordance with ISO 2330; *standard forks with all dimensions and lengths up to 2.400 mm*  
*mechanical adjustment of forks on the fork carriage bars (different opening ranges)*
- T160BI .....integrated attachment with fork carriage bars for attaching the original forks in accordance with ISO 2330; *increased residual capacity of approx. 10 - 15%*  
*mechanical adjustment of forks on the fork carriage bars (different opening ranges)*
- T160Z(A) ...hook-on attachment with welded or screw-on (A) forks;  
*T160Z - with forks welded onto the guide profiles*  
*T160ZA - with screw-on forks suitable for operation with a high degree of wear and tear*
- T160IZ(A) ..integrated attachment with welded or screw-on (A) forks;  
*increased residual capacity of approx. 10 - 15%*  
*T160IZ - with forks welded onto the guide profiles*  
*T160IZA - with screw-on forks suitable for operation with a high degree of wear and tear*

**Container loading:** the T160 Fork Positioner with valve block sideshift enables loading and unloading pallets lengthwise on the side walls of the container as it is possible to extend beyond the chassis width.



## KAUP Fork Positioners – range T466



The range T466 with optimised visibility and residual capacity is fitted with separate sideshift as standard. This ensures that the permissible lateral shift is fully utilized at any position of the forks. KAUP separate sideshift components are designed so that there is no loss of residual capacity. The needle bearing roller guided bottom hooks (**SMOOTHROLL**) considerably reduce friction and ensure energy efficient operation of the attachment. End of stroke slow-down (**SOFTSTOP**) considerably reduces the speed over the last 15mm and thus prevents accidents due to loads falling off and protects the mast components. Furthermore lateral stability is enhanced which ensures the stand stability of the forklift truck.

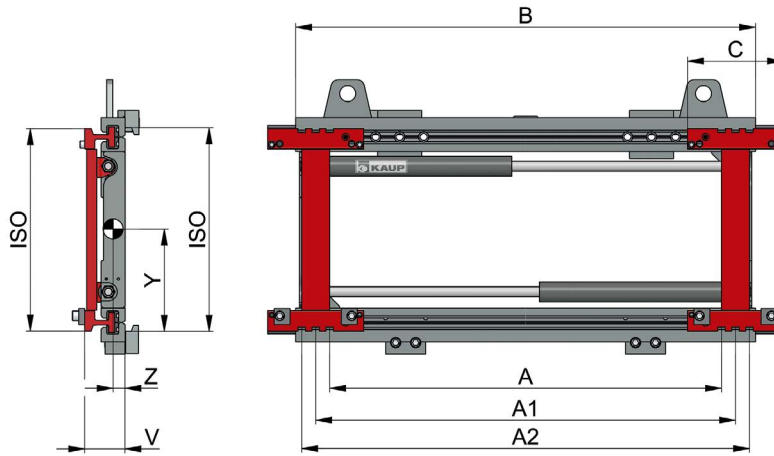
Choose the optimal attachment for your type of operation from the four variations of T466 available

- T466.....hook-on attachment with fork carriage bars for attaching the original forks in accordance with ISO 2330; *standard forks with all dimensions and lengths up to 2.400 mm*  
*mechanical adjustment of forks on the fork carriage bars (different opening ranges)*
- T466BI .....integrated attachment with fork carriage bars for attaching the original forks in accordance with ISO 2330; *increased residual capacity of approx. 10 - 15%*  
*mechanical adjustment of forks on the fork carriage bars (different opening ranges)*
- T466Z(A) ...hook-on attachment with welded or screw-on (A) forks;  
*T466Z - with forks welded onto the guide profiles*  
*T466ZA - with screw-on forks suitable for operation with a high degree of wear and tear*
- T466IZ(A) ..integrated attachment with welded or screw-on (A) forks;  
*increased residual capacity of approx. 10 - 15%*  
*T466IZ - with forks welded onto the guide profiles*  
*T466IZA - with screw-on forks suitable for operation with a high degree of wear and tear*



T180

T479 / T479.1



## Fork Positioner T160 with valveblock sideshift dependent on opening range

without forks · for forks acc. to ISO 2330 · 2 hydraulic functions

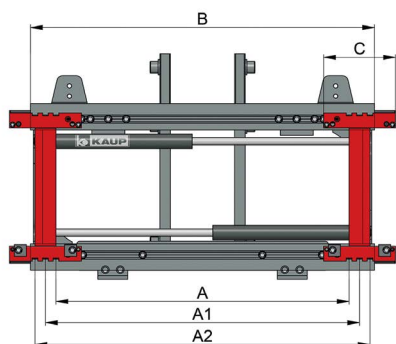
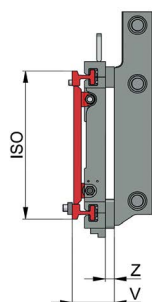
Model	Capacity kg	LCD mm	Opening range centre to centre fork			B mm	C mm	suitable for max. fork width	VS max mm	ISO cl.	V mm	CofG Z mm	CofG <sub>v</sub> Y mm	Weight kg
			A mm	A1 mm	A2 mm									
2T 160B	2.500	500	150-790	250-890	320-960	980	240	120	± 160	2	96	32	235	115
			150-850	250-950	320-1.020	1.040	± 175	32	234	119				
			150-950	250-1.050	320-1.120	1.150	± 200	31	232	125				
			150-1.150	250-1.250	320-1.320	1.350	± 250	31	230	137				
2,5T 160B	2.500	600	150-850	250-950	320-1.020	1.040	240	120	± 175	2	96	30	244	124
			150-950	250-1.050	320-1.120	1.150	± 200	30	242	130				
3,5T 160B	3.600	500	180-880	250-950	320-1.020	1.040	240	130	± 175	3	101	38	258	119
			180-980	250-1.050	320-1.120	1.150	± 200	37	257	125				
			180-1.080	250-1.150	320-1.220	1.250	± 225	37	257	131				
			180-1.180	250-1.250	320-1.320	1.350	± 250	37	257	137				
			180-1.380	250-1.450	320-1.520	1.550	± 300	35	255	149				
			180-1.480	250-1.550	320-1.620	1.650	± 325	34	254	155				
4,8T 160B*	5.000	600	180-980	250-1.050	320-1.120	1.150	255	150	± 200	3	111	42	252	196
			180-1.180	250-1.250	320-1.320	1.350	± 250	41	253	214				
			180-1.280	250-1.350	320-1.420	1.460	± 275	40	253	223				
			180-1.360	250-1.430	320-1.500	1.550	± 295	40	254	232				
			180-1.580	250-1.650	320-1.720	1.750	± 350	39	255	260				
			180-1.680	250-1.750	320-1.820	1.850	± 375	39	255	274				
6T 160	6.000	600	260-1.060	350-1.150	440-1.240	1.350	330	150	± 200	4	136	51	323	261
			260-1.170	350-1.260	440-1.350	1.460	± 227,5	51	323	273				
			260-1.360	350-1.450	440-1.540	1.650	± 275	50	323	293				
			260-1.560	350-1.650	440-1.740	1.860	± 325	49	323	315				
8T 160	8.000	600	260-1.560	350-1.650	440-1.740	1.860	330	150	± 325	4	136	49	323	315
			260-1.760	350-1.850	440-1.940	2.060	± 375	49	322	335				
			260-1.960	350-2.050	440-2.140	2.260	± 425	48	322	357				
			260-2.060	350-2.150	440-2.240	2.400	± 450	48	322	367				
10T 160	8.000	1.100	260-1.760	360-1.860	460-1.960	2.060	370	200	± 375	4	170	68	326	542
			260-1.960	360-2.060	460-2.160	2.260	± 425	67	326	571				
			260-2.060	360-2.160	460-2.260	2.400	± 450	67	326	590				

\*4,8T with capacity (kg/mm) 2.700/1.200 available upon request.  
 Forks suitable for above attachments available upon request.  
 Not suitable for clamping between the forks. Available without sideshift. Load Backrest Model T479.

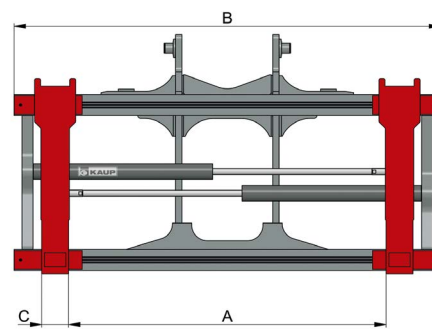
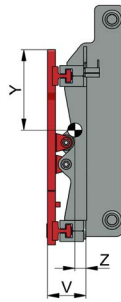


# T160BI · T160ITW

T160BI



T160ITW



## Fork Positioner integrated T160BI

with **valveblock sideshift** dependent on opening range · without forks · for forks acc. to ISO 2330 · 2 hydraulic functions

Model	Capacity kg	LCD mm	Opening range centre to centre fork			B mm	C mm	suitable for max. fork width	VS max mm	ISO cl.	V mm	CofG Z mm	Weight kg
			A mm	A1 mm	A2 mm								
2T 160BI	2.500	500	150-850	250-950	320-1.020	1.040	240	120	± 175	2	116	51	117
			150-950	250-1.050	320-1.120	1.150	± 200	51	123				
2,5T 160BI	2.500	600	150-850	250-950	320-1.020	1.040	240	120	± 175	2	126	57	126
			150-950	250-1.050	320-1.120	1.150	± 200	57	132				
3,5T 160BI	3.600	500	180-980	250-1.050	320-1.120	1.150	240	130	± 200	3	141	61	173
			180-1.180	250-1.250	320-1.320	1.350	± 250	61	188				
4,8T 160BI*	5.000	600	180-1.180	250-1.250	320-1.320	1.350	255	150	± 250	3	141	63	250
			180-1.360	250-1.430	320-1.500	1.550	± 295	63	269				
6T 160BI	6.000	600	260-1.170	350-1.260	440-1.350	1.460	330	150	± 227,5	4	166	64	395
			260-1.360	350-1.450	440-1.540	1.650	± 275	63	411				
			260-1.560	350-1.650	440-1.740	1.860	± 325	61	457				
8T 160BI	8.000	600	260-1.560	350-1.650	440-1.740	1.860	330	150	± 325	4	166	61	457
			260-1.760	350-1.850	440-1.940	2.060	± 375	61	474				
			260-1.960	350-2.050	440-2.140	2.260	± 425	62	490				
			260-2.060	350-2.150	440-2.240	2.400	± 450	62	502				
10T 160BI	8.000	1.100	260-1.760	360-1.860	460-1.960	2.060	370	200	± 375	4	210	97	605
			260-1.960	360-2.060	460-2.160	2.260	± 425	96	635				
			260-2.060	360-2.160	460-2.260	2.400	± 450	94	654				

\*4,8T with capacity (kg/mm) 2.700/1.200 available upon request.

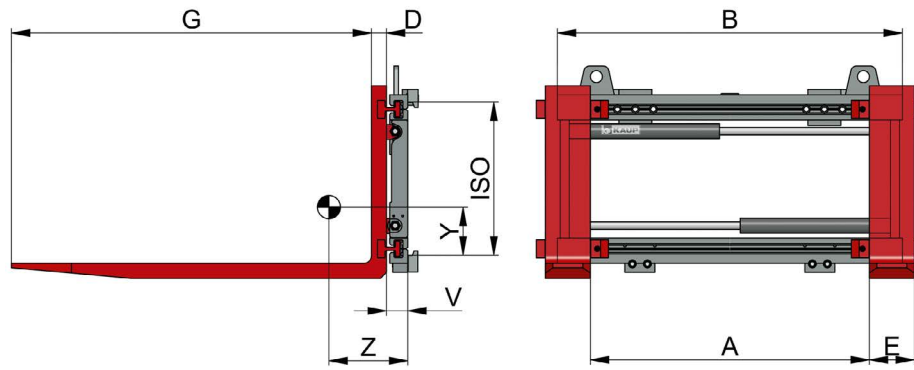
## Fork Positioner integrated T160ITW

with **valveblock sideshift** dependent on opening range · without forks · for forks with quick release system 'Terminal West' 2 hydraulic functions

Model	Capacity kg	LCD mm	A mm	B mm	C mm	VS max mm	V mm	CofG Z mm	CofG <sub>v</sub> Y mm	Weight kg
12T 160ITW	12.000	600	370-2.000	2.400	200	± 407,5	223	90	482	1.135
			300-2.300	2.700	± 500	87		484	1.235	
			500-2.700	3.100	± 550	87		484	1.330	
16T 160ITW	16.000	600	370-2.000	2.400	200	± 407,5	223	90	482	1.135
			500-2.700	3.100	± 550	87		484	1.330	
24T 160ITW	24.000	600	270-1.900	2.400	250	± 407,5	233	90	483	1.175
			400-2.600	3.100	± 550	87		484	1.340	
32T 160ITW	32.000	600	270-2.100	2.600	250	± 457,5	233	88	493	1.470
			260-2.600	3.100	± 585	86		494	1.590	

CofG and weight measurements do not take the cheek plates into account. Forks suitable for above attachments available upon request. Fork carriage drawings, roller studs and chain anchors to be supplied by customer if necessary. Not suitable for clamping between the forks. Available without sideshift. Load Backrest Model T479. Higher capacities and other construction widths available upon request.





## Fork Positioner T160Z

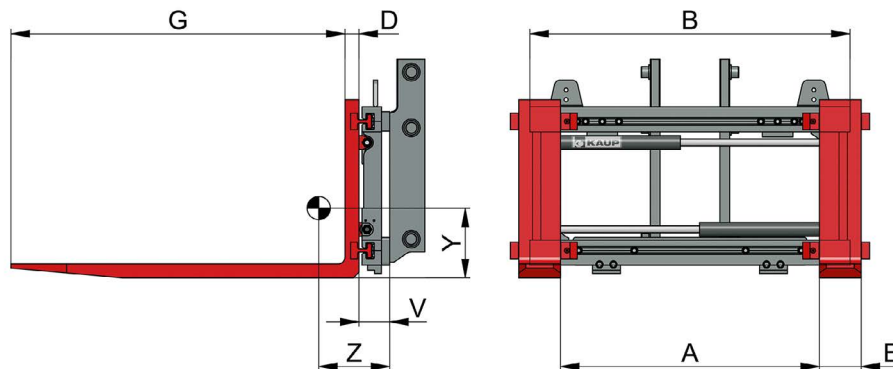
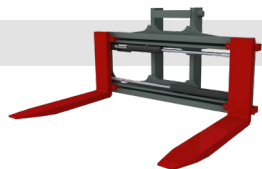
with **valveblock sideshift** dependent on opening range · 2 hydraulic functions

Model	Capacity kg	LCD mm	A mm	B mm	fork profile D mm	E mm	G mm	VS max mm	ISO cl.	V mm	CofG Z mm	CofG <sub>v</sub> Y mm	Weight kg
1,5T 160BZ	1.600	500	170-810	980	40	100	1.200	± 160	2	71	245	134	209
			170-870	1.040				± 175			240	135	213
			170-970	1.150				± 200			234	137	219
2T 160BZ	2.500	500	130-770	980	45	120	1.200	± 160	2	71	284	118	244
			130-830	1.040				± 175			280	120	247
			130-930	1.150				± 200			273	122	253
			130-1.130	1.350				± 250			263	125	265
2,5T 160BZ	2.500	600	130-830	1.040	50	120	1.200	± 175	2	71	274	126	266
			130-930	1.150				± 200			269	128	272
3,5T 160BZ	3.600	500	130-830	1.040	50	150	1.200	± 175	3	71	308	126	302
			130-930	1.150				± 200			303	129	307
			130-1.030	1.250				± 225			300	131	312
			130-1.130	1.350				± 250			292	133	317
			130-1.330	1.550				± 300			292	138	327
			130-1.430	1.650				± 325			290	140	332
4,5T 160BZ	5.000	500	130-930	1.150	60	150	1.200	± 200	3	84	275	144	403
			130-1.130	1.350				± 250			264	149	421
			130-1.230	1.460				± 275			258	152	433
			130-1.310	1.550				± 295			253	154	439
			130-1.530	1.750				± 350			244	160	458
			130-1.630	1.850				± 375			240	162	467
4,8T 160BZ*	5.000	600	130-930	1.150	60	150	1.200	± 200	3	84	275	144	403
			130-1.130	1.350				± 250			264	149	421
			130-1.230	1.460				± 275			258	152	433
			130-1.310	1.550				± 295			253	154	439
			130-1.530	1.750				± 350			244	160	458
			130-1.630	1.850				± 375			240	162	467
6T 160Z	6.000	600	200-1.110	1.350	70	150	1.200	± 227,5	4	111	257	192	522
			200-1.200	1.460				± 250			252	194	534
			200-1.400	1.650				± 300			245	199	554
			200-1.600	1.860				± 350			237	204	576
8T 160Z	8.000	600	200-1.600	1.860	70	150	1.200	± 350	4	111	237	204	576
			200-1.800	2.060				± 400			230	208	597
			200-2.000	2.260				± 450			224	212	618
			210-2.060	2.400				± 462,5			220	214	629
10T 160Z	8.000	900	100-1.730	2.060	70	200	1.200	± 407,5	4	138	253	212	877
			100-1.900	2.260				± 450			247	216	905
			100-2.000	2.400				± 475			243	218	924
10T 160Z	8.000	1.100	100-1.730	2.060	80	200	1.200	± 407,5	4	138	242	219	900
			100-1.900	2.260				± 450			236	221	928
			100-2.000	2.400				± 475			232	223	947

\*4,8T with capacity (kg/mm) 2.700/1.200 available upon request.  
 Available without sideshift. Load Backrest Model T479.  
 Not suitable for clamping between the forks.

**ZA-Version:**  
 with screw-on forks  
 available upon request





## Fork Positioner integrated T160IZ

with valveblock sideshift dependent on opening range · 2 hydraulic functions

Model	Capacity kg	LCD mm	A mm	B mm	fork profile D mm	E mm	G mm	VS max mm	V mm	CofG Z mm	CofG <sub>v</sub> Y mm	Weight kg
1,5T 160BIZ	1.600	500	170-870	1.040	40	100	1.200	± 175	91	261	197	210
			170-970	1.150				± 200		255	200	216
2T 160BIZ	2.500	500	130-830	1.040	45	120	1.200	± 175	91	300	184	245
			130-930	1.150				± 200		293	187	251
2,5T 160BIZ	2.500	600	130-830	1.040	50	120	1.200	± 175	101	305	186	267
			130-930	1.150				± 200		300	188	273
3,5T 160BIZ	3.600	500	130-930	1.150	50	150	1.200	± 200	111	292	221	355
			130-1.130	1.350				± 250		283	225	370
4,5T 160BIZ	5.000	500	130-1.130	1.350	60	150	1.200	± 250	114	263	240	469
			130-1.310	1.550				± 295		255	243	489
4,8T 160BIZ*	5.000	600	130-1.130	1.350	60	150	1.200	± 250	114	263	240	469
			130-1.310	1.550				± 295		255	243	489
6T 160BIZ	6.000	600	200-1.200	1.460	70	150	1.200	± 250	141	264	336	642
			200-1.400	1.650				± 300		258	340	663
			200-1.600	1.860				± 350		239	343	685
			200-2.000	2.400				± 462,5		225	357	785
8T 160BIZ	8.000	600	200-1.600	1.860	70	150	1.200	± 350	141	252	343	685
			200-1.800	2.060				± 400		233	353	755
			200-2.000	2.260				± 450		228	354	771
			210-2.060	2.400				± 462,5		225	357	785
10T 160BIZ	8.000	900	100-1.730	2.060	70	200	1.200	± 407,5	178	268	350	963
			100-1.900	2.260				± 450		263	352	991
			100-2.000	2.400				± 475		258	357	1.015
10T 160BIZ	8.000	1.100	100-1.730	2.060	80	200	1.200	± 407,5	178	279	346	1.012
			100-1.900	2.260				± 450		274	349	1.040
			100-2.000	2.400				± 475		268	353	1.064
12T 160IZ	12.000	600	370-2.000	2.400	80	200	1.200	± 407,5	178	225	585	1.450
			300-2.300	2.700				± 500		216	590	1.540
			500-2.700	3.100				± 550		207	600	1.640
16T 160IZ	16.000	600	370-2.000	2.400	90	200	1.200	± 407,5	178	222	585	1.600
	8.000	1.200	370-2.000	2.400			2.400	± 407,5		475	498	1.905
	8.000	1.200	500-2.700	3.100			2.400	± 550		438	517	2.090
24T 160IZ	24.000	600	270-1.900	2.400	90	250	1.200	± 407,5	178	244	568	1.755
	12.000	1.200	270-1.900	2.400			2.400	± 407,5		521	474	2.137
	12.000	1.200	400-2.600	3.100			2.400	± 550		486	492	2.320
32T 160IZ	32.000	600	270-2.100	2.600	100	250	1.200	± 457,5	178	230	585	2.020
	16.000	1.200	270-2.100	2.600			2.400	± 457,5		493	493	2.435
	16.000	1.200	260-2.600	3.100			2.400	± 585		470	505	2.570

\*4,8T with capacity (kg/mm) 2.700/1.200 available upon request.

CofG and weight measurements do not take the cheek plates into account.

Fork carriage drawings, roller studs and chain anchors to be supplied by customer if necessary.

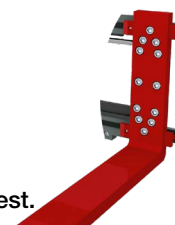
Larger models and different widths available upon request.

Not suitable for clamping between the forks.

Available without sideshift.

Load Backrest Model T479.

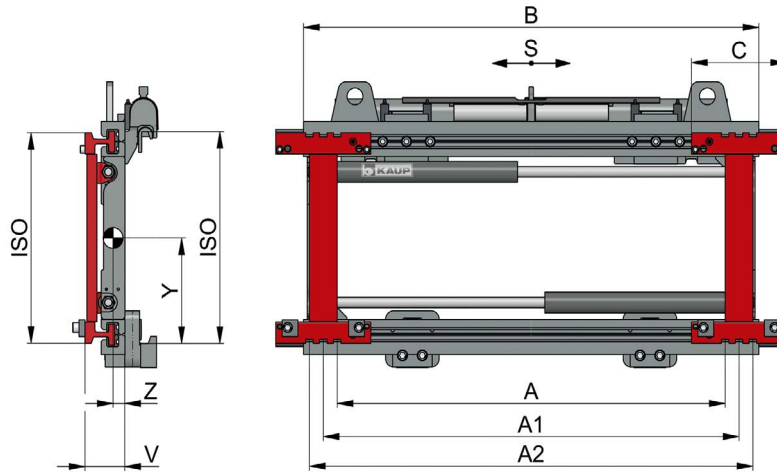
IZA-Version: with screw-on forks available upon request.





T180

T479 / T479.1



## Fork Positioner T466

with independent sideshift · without forks · for forks acc. to ISO 2330 · 2 hydraulic functions

Model	Capacity kg	LCD mm	Opening range centre to centre fork			B mm	C mm	S mm	suitable for max. fork width	ISO cl.	V mm	CofG Z mm	CofG <sub>v</sub> Y mm	Weight kg				
			A mm	A1 mm	A2 mm													
2T 466B	2.500	500	150-790	250-890	320-960	980	240	± 100	120	2	138	55	244	141				
			150-850	250-950	320-1.020	1.040									56	242	145	
			150-950	250-1.050	320-1.120	1.150									57	240	152	
			150-1.150	250-1.250	320-1.320	1.350									57	238	164	
2,5T 466B	2.500	600	150-850	250-950	320-1.020	1.040	240	± 100	120	2	153	59	227	170				
			150-950	250-1.050	320-1.120	1.150									62	229	185	
3,5T 466B	3.500	500	180-880	250-950	320-1.020	1.040	240	± 100	130	3	153	62	283	190				
			180-980	250-1.050	320-1.120	1.150									63	282	198	
			180-1.080	250-1.150	320-1.220	1.250									63	281	206	
			180-1.180	250-1.250	320-1.320	1.350									64	280	213	
			180-1.380	250-1.450	320-1.520	1.550									64	278	228	
			180-1.480	250-1.550	320-1.620	1.650									65	277	236	
4,8T 466B*	5.000	600	180-980	250-1.050	320-1.120	1.150	255	± 100	150	3	153	68	277	243				
			180-1.180	250-1.250	320-1.320	1.350									69	275	262	
			180-1.280	250-1.350	320-1.420	1.460									69	274	273	
			180-1.360	250-1.430	320-1.500	1.550									69	274	282	
			180-1.580	250-1.650	320-1.720	1.750									163	75	270	337
			180-1.680	250-1.750	320-1.820	1.850									75	269	350	
6T 466	6.000	600	260-1.060	350-1.150	440-1.240	1.350	330	± 100	150	4	176	72	372	348				
			260-1.170	350-1.260	440-1.350	1.460									72	370	363	
			260-1.360	350-1.450	440-1.540	1.650		± 160							72	370	383	
			260-1.560	350-1.650	440-1.740	1.860									72	366	404	
8T 466	8.000	600	260-1.560	350-1.650	440-1.740	1.860	330	± 160	150	4	176	72	366	404				
			260-1.760	350-1.850	440-1.940	2.060									73	364	425	
			260-1.960	350-2.050	440-2.140	2.260									73	362	445	
			260-2.060	350-2.150	440-2.240	2.400									74	359	460	
10T 466	8.000	1.100	260-1.760	360-1.860	460-1.960	2.060	370	± 160	200	4	238	110	351	700				
			260-1.960	360-2.060	460-2.160	2.260									110	350	725	
			260-2.060	360-2.160	460-2.260	2.400									110	349	745	

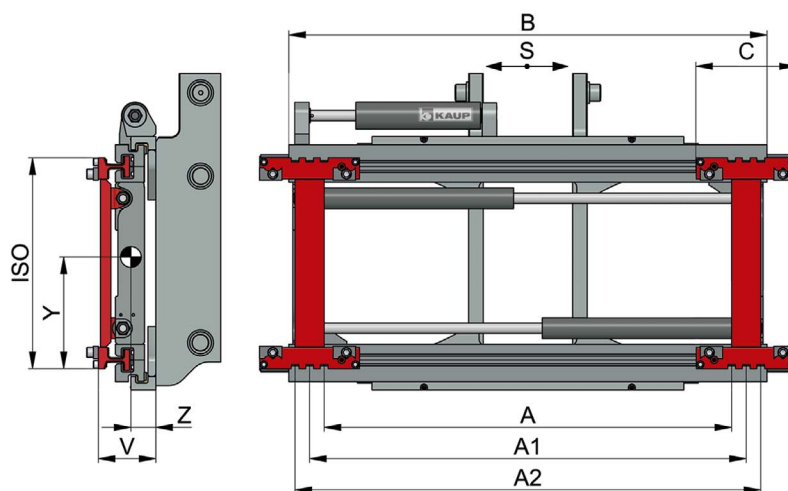
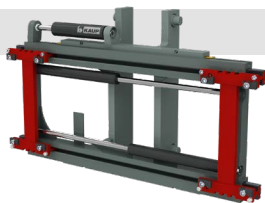
\*4,8T with capacity (kg/mm) 2.700/1.200 available upon request.

Not suitable for clamping between the forks.

Widths for reach trucks available upon request.

Load Backrest Model T479. Forks suitable for above attachments available upon request.





## Fork Positioner integrated T466BI

with **independent sideshift** · without forks · for forks acc. to ISO 2330 · 2 hydraulic functions

Model	Capacity kg	LCD mm	Opening range centre to centre fork			B mm	C mm	S mm	suitable for max. fork width	ISO cl.	V mm	CofG Z mm	CofG <sub>v</sub> Y mm	Weight kg				
			A mm	A1 mm	A2 mm													
2 T 466 BI	2.500	500	150-850	250-950	320-1.020	1.040	240	± 100	120	2	133	58	218	156				
			150-950	250-1.050	320-1.120	1.150										58	217	163
2,5 T 466BI	2.500	600	150-850	250-950	320-1.020	1.040	240	± 100	120	2	133	60	218	158				
			150-950	250-1.050	320-1.120	1.150										60	217	165
3,5 T 466BI	3.500	500	180-980	250-1.050	320-1.120	1.150	240	±100	130	3	138	60	262	177				
			180-1.180	250-1.250	320-1.320	1.350										62	262	190
4,8T 466BI*	5.000	600	180-1.180	250-1.250	320-1.320	1.350	255	± 100	150	3	148	65	268	279				
			180-1.360	250-1.430	320-1.500	1.550										62	266	319
6 T 466 BI	6.000	600	260-1.170	350-1.260	440-1.350	1.460	330	± 100	150	4	171	68	343	402				
			260-1.360	350-1.450	440-1.540	1.650		± 160								68	345	435
			260-1.560	350-1.650	440-1.740	1.860										68	343	468
8 T 466 BI	8.000	600	260-1.560	350-1.650	440-1.740	1.860	330	± 160	150	4	171	68	343	468				
			260-1.760	350-1.850	440-1.940	2.060										65	341	523
			260-1.960	350-2.050	440-2.140	2.260										65	340	559
			260-2.060	350-2.150	440-2.240	2.400										64	340	586
10 T 466 BI	8.000	1.100	260-1.760	360-1.860	460-1.960	2.060	370	± 160	200	4	234	102	344	880				
			260-1.960	360-2.060	460-2.160	2.260										101	343	940
			260-2.060	360-2.160	460-2.260	2.400										100	342	978

\*4,8T with capacity (kg/mm) 2.700/1.200 available upon request.

CofG and weight measurements do not take the cheek plates into account.

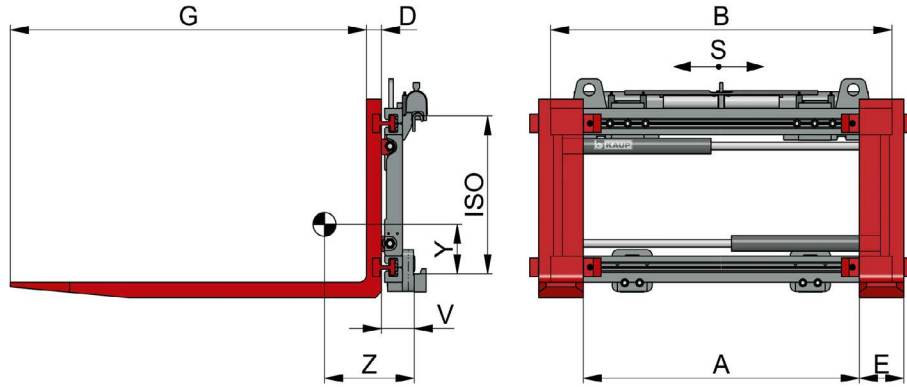
Load Backrest Model T479.

Forks manually adjustable.

Fork carriage drawings, roller studs and chain anchors to be supplied by customer if necessary.

Not suitable for clamping between the forks.

Forks suitable for above attachments available upon request.



## Fork Positioner T466Z

with independent sideshift · 2 hydraulic functions

Model	Capacity kg	LCD mm	A mm	B mm	fork profile D mm	E mm	G mm	S mm	ISO cl.	V mm	CofG Z mm	CofG <sub>v</sub> Y mm	Weight kg
1,5T 466BZ	1.600	500	170-810	980	40	100	1.200	± 100	2	113	251	151	237
			170-870	1.040				248	152		240		
			170-970	1.150				243	153		246		
2T 466BZ	2.500	500	130-770	980	45	120	1.200	± 100	2	113	292	135	271
			130-830	1.040				287	136		274		
			130-930	1.150				282	138		280		
			130-1.130	1.350				274	140		292		
2,5T 466BZ	2.500	600	130-830	1.040	50	120	1.200	± 100	2	128	279	136	317
			130-930	1.150				274	138		325		
3,5T 466BZ	3.500	500	130-830	1.040	50	150	1.200	± 100	3	123	293	166	372
			130-930	1.150				288	168		380		
			130-1.030	1.250				284	170		388		
			130-1.130	1.350				280	171		395		
			130-1.330	1.550				272	174		409		
			130-1.430	1.650				268	176		416		
4,5T 466BZ	5.000	500	130-930	1.150	60	150	1.200	± 100	3	126	285	170	450
			130-1.130	1.350				275	173		468		
			130-1.230	1.460				270	175		479		
			130-1.310	1.550				267	176	488			
			130-1.530	1.750				136	243	187	536		
			130-1.630	1.850				238	190	549			
4,8T 466BZ*	5.000	600	130-930	1.150	70	150	1.200	± 100	3	126	311	162	491
			130-1.130	1.350				302	165		510		
			130-1.230	1.460				298	167		521		
			130-1.310	1.550				294	169	530			
			130-1.530	1.750				136	280	179	587		
			130-1.630	1.850				285	182	600			
6T 466Z	6.000	600	200-1.110	1.350	70	150	1.200	± 100	4	151	280	225	620
			200-1.200	1.460				277	226		630		
			200-1.400	1.650				± 160	269		232	655	
			200-1.600	1.860				262	235		682		
8T 466Z	8.000	600	200-1.600	1.860	70	150	1.200	± 160	4	151	262	235	682
			200-1.800	2.060				256	238		704		
			200-2.000	2.260				250	240		725		
			210-2.060	2.400				247	242		741		
10T 466Z	8.000	900	160-1.790	2.060	70	200	1.200	± 160	4	205	276	245	1.025
			160-1.960	2.260				272	247		1.050		
			160-2.060	2.400				269	248		1.070		
10T 466Z	8.000	1.100	160-1.790	2.060	80	200	1.200	± 160	4	205	286	240	1.075
			160-1.960	2.260				283	242		1.100		
			160-2.060	2.400				280	243		1.120		

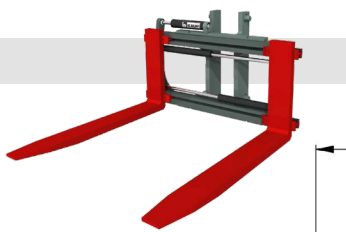
\*4,8T with capacity (kg/mm) 2.700/1.200 available upon request.

Load Backrest Model T479.

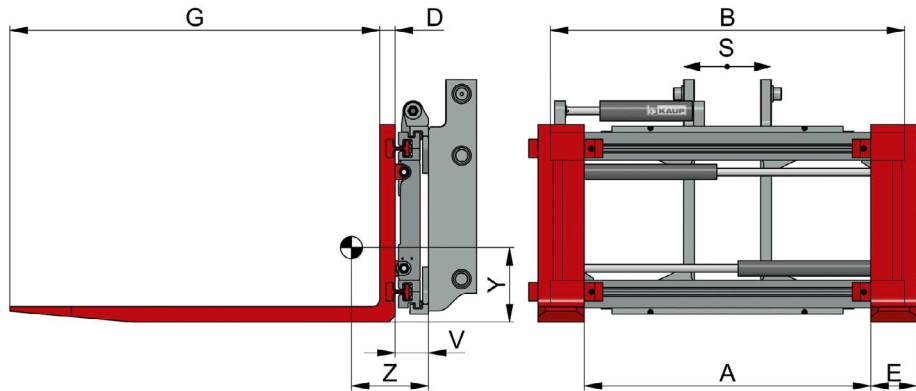
Not suitable for clamping between the forks.

**ZA-Version:**  
with screw-on forks  
available upon request





# T466BIZ



## Fork Positioner integrated T466BIZ

with independent sideshift · 2 hydraulic functions

Model	Capacity kg	LCD mm	A mm	B mm	fork profile D mm	E mm	G mm	S mm	V mm	CofG Z mm	CofG <sub>v</sub> Y mm	Weight kg	
1,5T 466 BIZ	1.600	500	170-870	1.040	40	100	1.200	± 100	108	236	218	249	
			170-970	1.150							220	256	
2T 466 BIZ	2.500	500	130-830	1.040	45	120	1.200	± 100	108	275	204	284	
			130-930	1.150							206	291	
2,5T 466 BIZ	2.500	600	130-830	1.040	50	120	1.200	± 100	108	282	202	298	
			130-930	1.150							203	305	
3,5T 466 BIZ	3.500	500	130-930	1.150	50	150	1.200	± 100	108	295	228	353	
			130-1.130	1.350							234	377	
4,5T 466 BIZ	5.000	500	130-1.130	1.350	60	150	1.200	± 100	121	262	249	485	
			130-1.310	1.550							246	525	
4,8T 466 BIZ*	5.000	600	130-1.130	1.350	70	150	1.200	± 100	121	291	241	528	
			130-1.310	1.550							247	568	
6T 466 BIZ	6.000	600	200-1.200	1.460	70	150	1.200	± 100	146	258	352	676	
			200-1.400	1.650				± 160			250	356	702
			200-1.600	1.860				240			362	741	
8T 466 BIZ	8.000	600	200-1.600	1.860	70	150	1.200	± 160	146	240	362	741	
			200-1.800	2.060							233	366	771
			200-2.000	2.260							218	372	835
			210-2.060	2.400							212	376	866
10T 466 BIZ	8.000	900	160-1.790	2.060	70	200	1.200	± 160	211	244	374	1.230	
			160-1.960	2.260							235	377	1.298
			160-2.060	2.400							231	379	1.335
10T 466 BIZ	8.000	1.100	160-1.790	2.060	80	200	1.200	± 160	211	254	370	1.280	
			160-1.960	2.260							245	373	1.347
			160-2.060	2.400							241	375	1.385

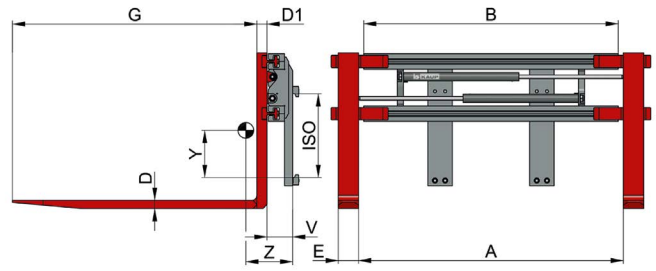
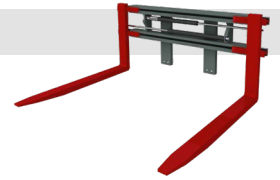
\*4,8T with capacity (kg/mm) 2.700/1.200 available upon request.  
 CofG and weight measurements do not take the cheek plates into account.  
 Fork carriage drawings, roller studs and chain anchors to be supplied by customer if necessary.  
 Larger models and different widths available upon request.  
 Not suitable for clamping between the forks.  
 Load Backrest Model T479.



IZA-Version: with screw-on forks available upon request.

## Fork Positioners for Reach Trucks

As the leading manufacturer of industrial truck attachments, **KAUP** supplies a complete range of attachments specially designed for reach trucks. Due to the complexity of the scope (details regarding the wheel arms, ground clearance, width of the attachment etc.) it is advisable to contact our specialists directly for an individual quotation.



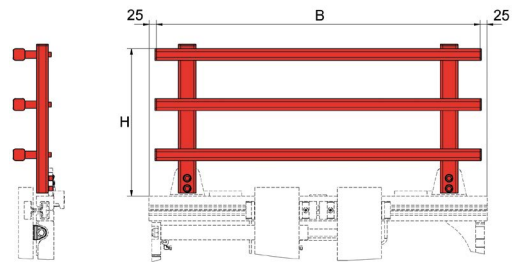
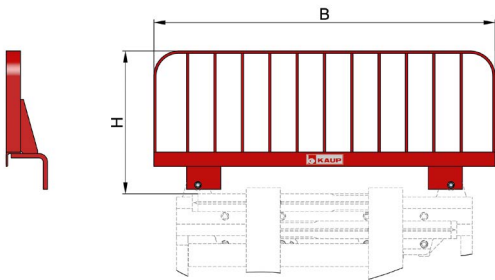
### Fork Positioner T466ZH

without sideshift - 1 hydraulic function

Model	Capacity kg	LCD mm	fork profile			G m	ISO cl.	V mm	CofG Z mm	CofG <sub>v</sub> Y mm	Weight kg			
			A mm	B mm	D mm							D1 mm	E mm	
2T 466 ZH	1.900	600	325-1.285	1.250	40	50	120	1.200	2	126	258	191	270	
			320-1.780	1.720							135	222	318	380
			320-1.900	1.860							135	219	324	390

Fork Positioner T160B, T160BZ, T411IZH and T411ZH available upon request.

## Load Backrests



### Load Backrest T479

for KAUP fork positioners T160 - T466 from 6T

Model	B mm	H mm	Weight kg
1T 479	970	500	26
1,5T 479	970	500	26
2T 479	1.130	500	28
3T 479	1.130	500	28
4T 479	1.130	500	32
5T 479	1.330	500	37
6T 479	1.550	500	48
8T 479	1.860	500	55
10T 479	2.060	500	78

Maximum height H = 1.000 mm, otherwise upon request.

### Load Backrest T479.1

for KAUP fork positioners T160B - T466B up to 4.8T

Model	B mm	H mm	Weight kg
2 T 479.1	990	500	19
3,5 T 479.1	1.100	500	21
4,8 T 479.1	1.300	500	24

Maximum height H = 1.000 mm.

**Please note:**  
load backrest width (B) corresponds to width of T160 / T466B range minus 50 mm.

Load Backrest T479.1 for KAUP integrated fork positioners T466BI and T466BIZ up to 4.8T available upon request.

KAUP attachments correspond to the requirements of the valid EC regulations regarding quality, safety and technical documentation. All technical data are subject to alteration.

KAUP is certified acc. to DIN EN ISO 9001



Helping hands for your Forklift truck

**KAUP GmbH & Co. KG**

Braunstrasse 17 · D - 63741 Aschaffenburg

☎ +49 6021 865-0 · 📠 +49 6021 865-213

E-Mail: kaup@kaup.de · www.kaup.de